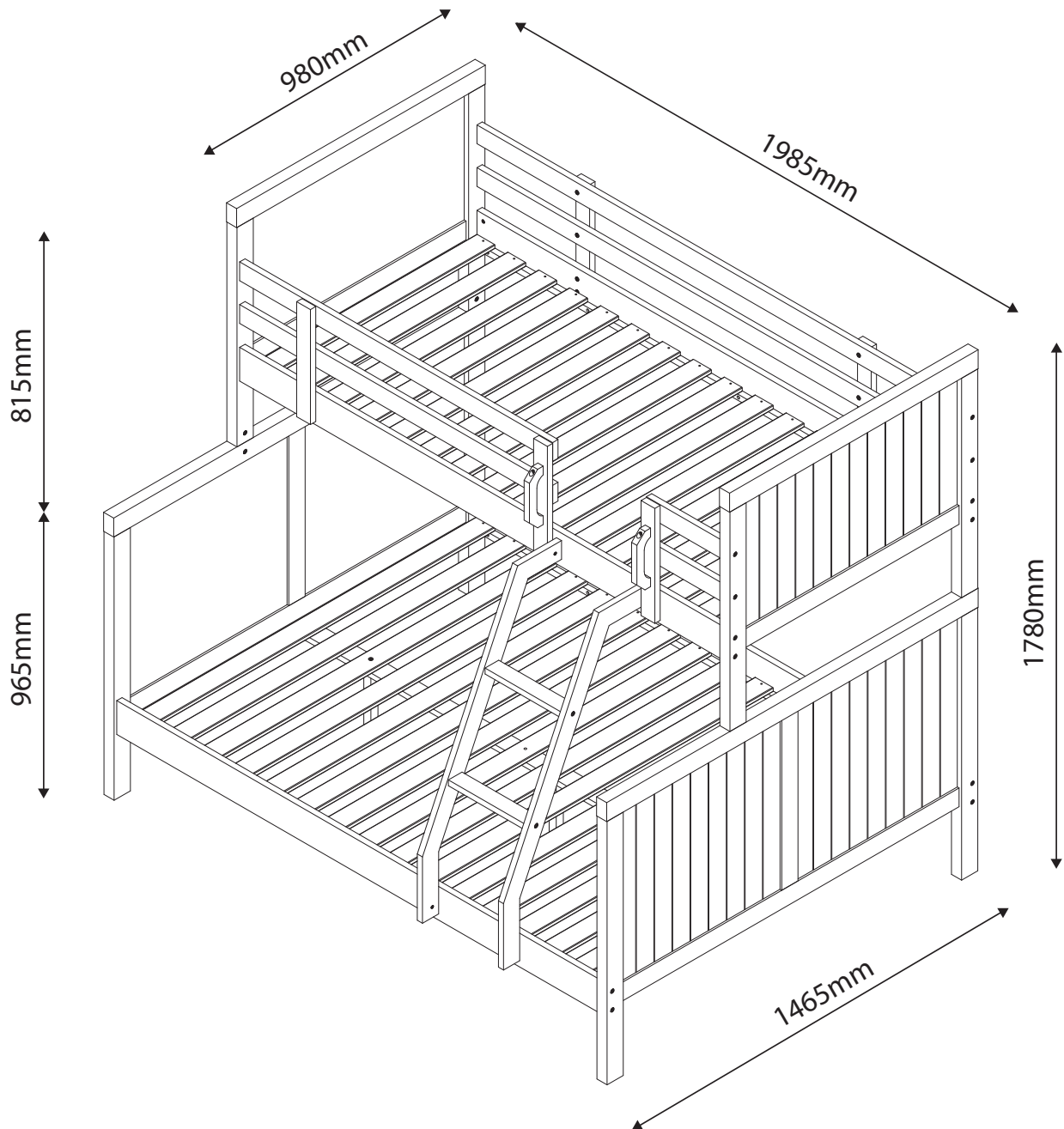


ASSEMBLY INSTRUCTION
CAPTAIN JACK SINGLE OVER DOUBLE BUNK
ITEM CODE : 58373

Imported by Amart Furniture Pty Ltd, Qld, Brisbane Australia.
For any assistance with assembly or for missing parts please phone
Amart Furniture Pty Ltd Customer Service Free call 1800 351 084

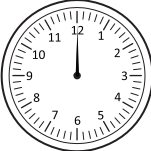

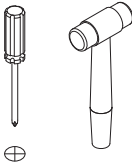



Imported by Amart Furniture Pty Ltd, Qld, Brisbane Australia.
For any assistance with assembly or for missing parts please phone
Amart Furniture Pty Ltd, Customer Service Free call 1800 351 084

PRE-ASSEMBLY PREPARATION

Before you start:

1. Choose a clean, level, spacious assembly area. Avoid hard surfaces that may damage the product.
2. Take care when lifting. Product should be assembled as near as possible to the point of use.
3. Ensure that you have all required contents for complete assembly.
4. Always read the assembly instructions carefully before beginning assembly.
5. Keep all hardware parts and packaging out of reach of small children.
6. Do not over tighten the screws and bolts as this may damage the threads.

	
ALLOW 60 MINUTES	2 PERSON REQUIRED
	
ADDITIONAL TOOLS REQUIRED	NO POWER DRILL

WARNING :

TOP BUNKS AND ELEVATED BEDS ARE DANGEROUS AND ARE NOT RECOMMENDED FOR CHILDREN UNDER THE AGE OF 9

Falls from elevated beds can be fatal and deaths have occurred where children have fallen from elevated beds. This is relevant for all ages. The risk is greater for younger children.

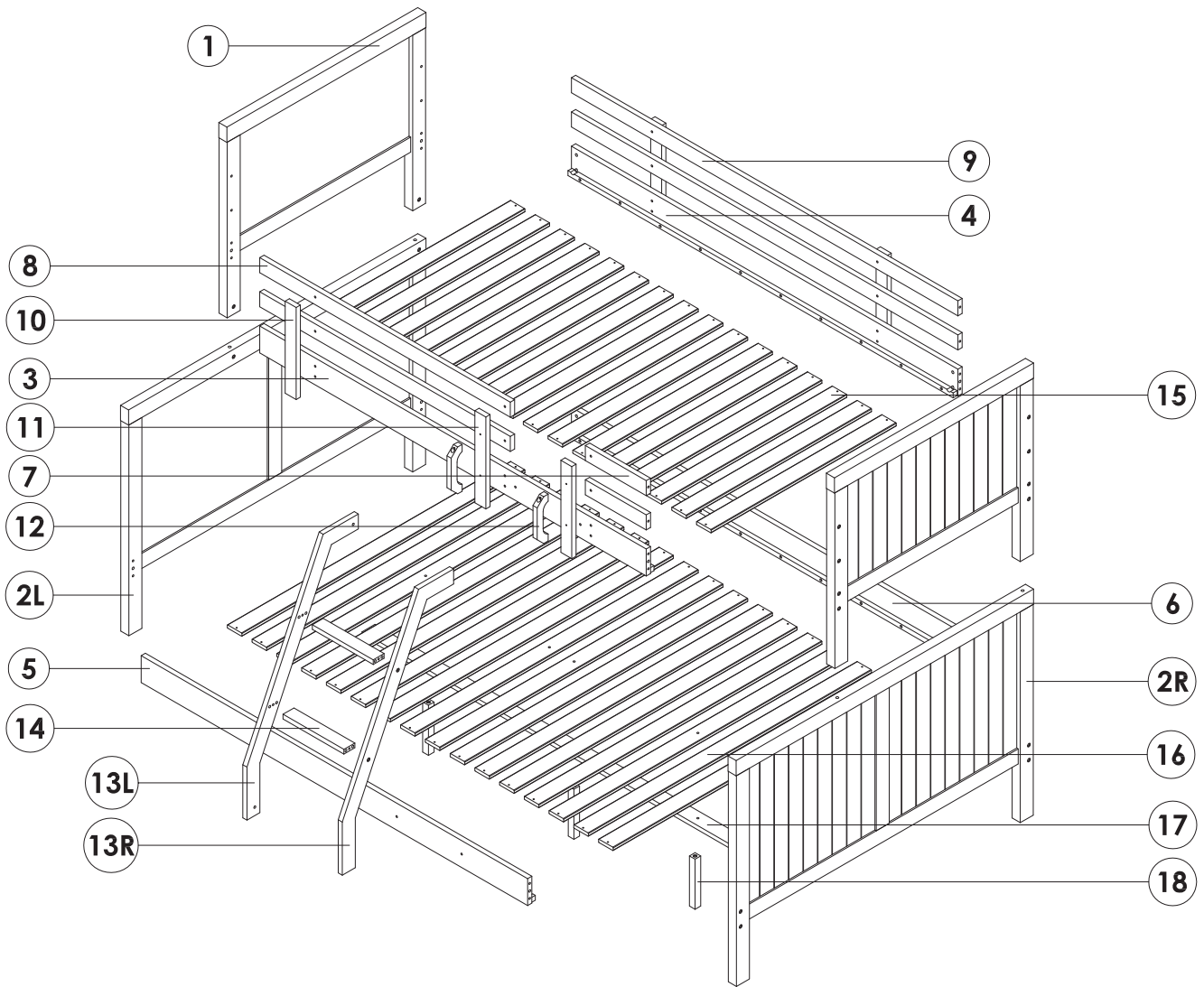
The risk injury or death from a fall from an elevated bed compared to a non-elevated bed is :

- 10 x greater for 7-8 year olds
- 7 x greater for 9-10 year olds
- 3 x greater for 11-12 year olds

TO HELP PREVENT serious or fatal injuries from entrapment of falls :

- Use the correct size mattress as specified.
- It must be at least 6.25" (160mm) below upper edge of guardrails.
- Follow written instructions with this bed.
- Use guardrails on both sides of upper bunk.
- Prohibits horseplay on or under bed.
- Check the bunk bed periodically to ensure that the guardrail, access device and other components are maintained in the correct position and state of repair and that all connectors are tight.
- Prohibit more than one person on upper bunk.
- **WARNING:** The upper bunk must be more than 2m from any ceiling fan.

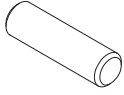
PART LIST



1	TOP HEADBOARD	(X2)	10	GUARD RAIL SUPPORT	(X3)
2L	BOTTOM HEADBOARD - L	(X1)	11	GUARD RAIL SUPPORT (GRIP SIDE)	(X2)
2R	BOTTOM HEADBOARD - R	(X1)	12	GRIP	(X2)
3	UPPER SIDE RAIL (FRONT)	(X1)	13L	LADDER SIDE - L	(X1)
4	UPPER SIDE RAIL (REAR)	(X1)	13R	LADDER SIDE - R	(X1)
5	LOWER SIDE RAIL (FRONT)	(X1)	14	LADDER SLAT	(X2)
6	LOWER SIDE RAIL (REAR)	(X1)	15	TOP WOODEN SLAT (72 x 912 = 16)	(X1)
7	SHORT GUARD RAIL	(X2)	16	BOTTOM WOODEN SLAT (72 x 1397 = 16)	(X1)
8	SEMI GUARD RAIL	(X2)	17	CENTER SUPPORTER	(X1)
9	FULL GUARD RAIL	(X2)	18	SUPPORTER LEG	(X3)

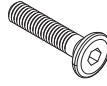
HARDWARE LIST

A. PLASTIC DOWEL (M10 x 35MM)



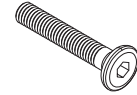
16 PCS

B. JCBC BOLT (M6 x 25MM)



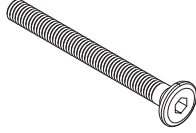
8 PCS

C. JCBC BOLT (M6 x 35MM)



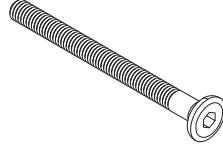
20 PCS

D. JCBC BOLT (M6 x 60MM)



8 PCS

E. JCBC BOLT (M6 x 70MM)



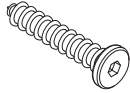
27 PCS

F. JRN NUT (M6 x 13MM)



24 PCS

G. JCBC W SCREW (M7 x 40MM)



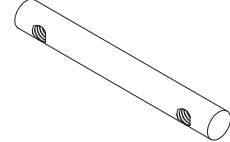
4 PCS

H. CSK C/B SCREW (M4 x 32MM)



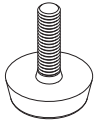
64 PCS

J. METAL PIN WITH 2 HOLES (M10 x 80MM)



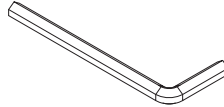
4 PCS

K. BASE GLIDE L190 (M6 x 23MM)



3 PCS

L. ALLEN KEY (M4 x 60MM)

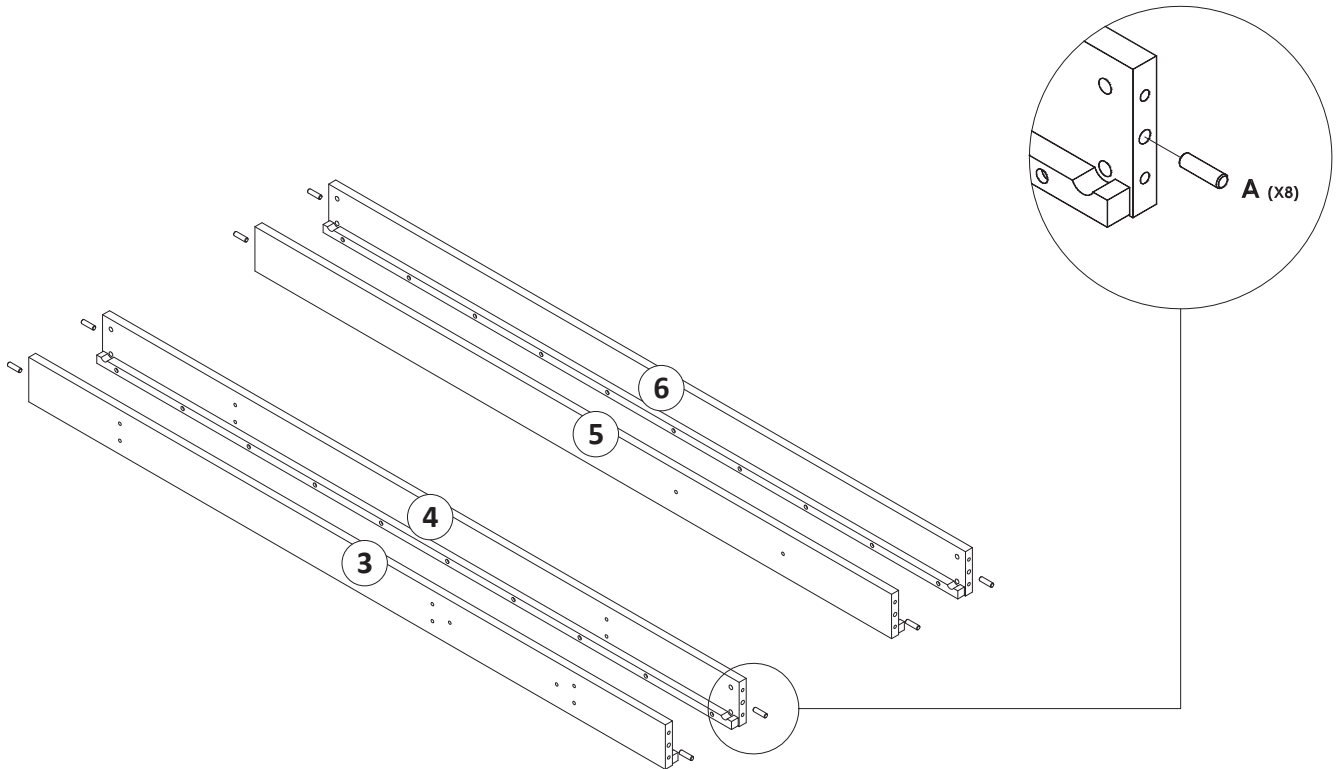


1 PC

Tools Required :
Crosshead Screw Driver
Rubber Hammer

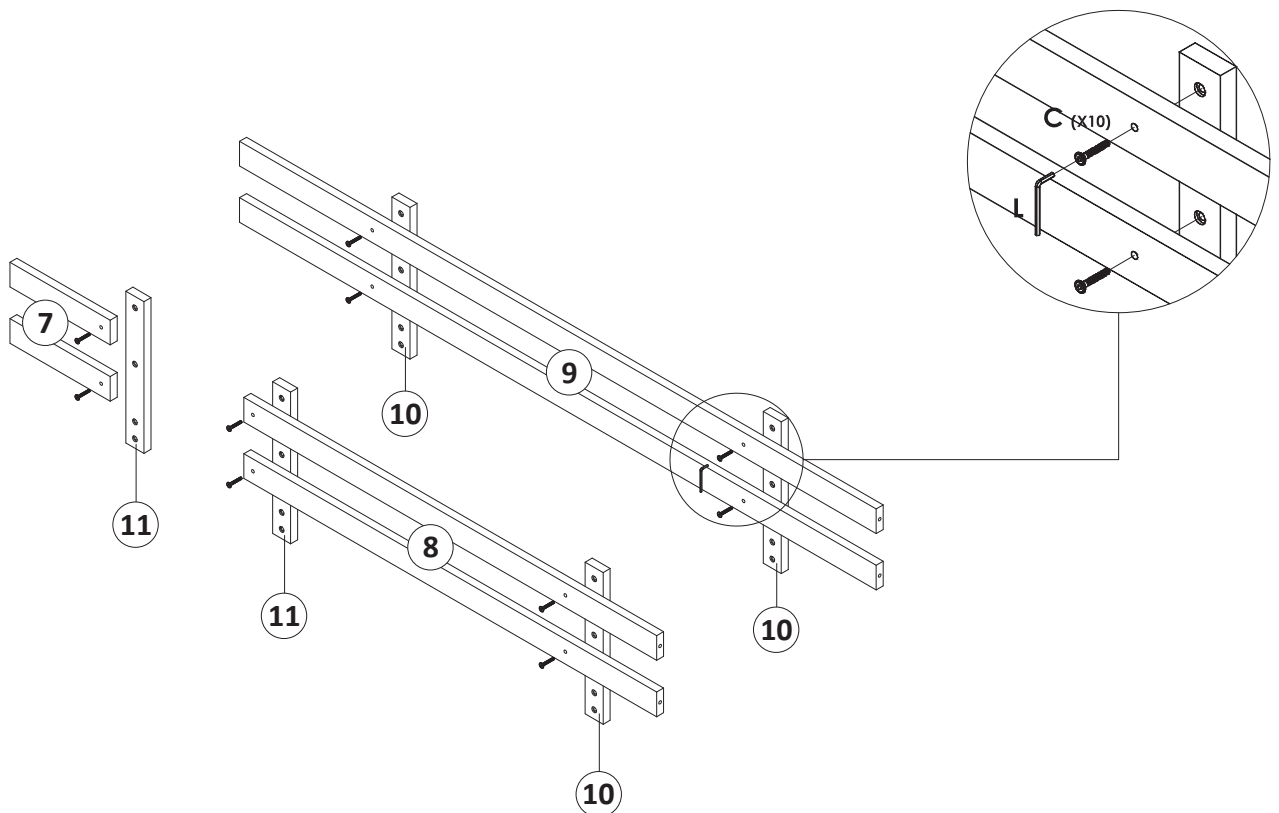
STEP 1

Insert **Dowels (A)** into $\varnothing 10\text{MM}$ holes on **Upper Side Rails (Front) & (Rear)** and **Lower Side Rails (Front) & (Rear)** by using a Rubber Hammer.



STEP 2

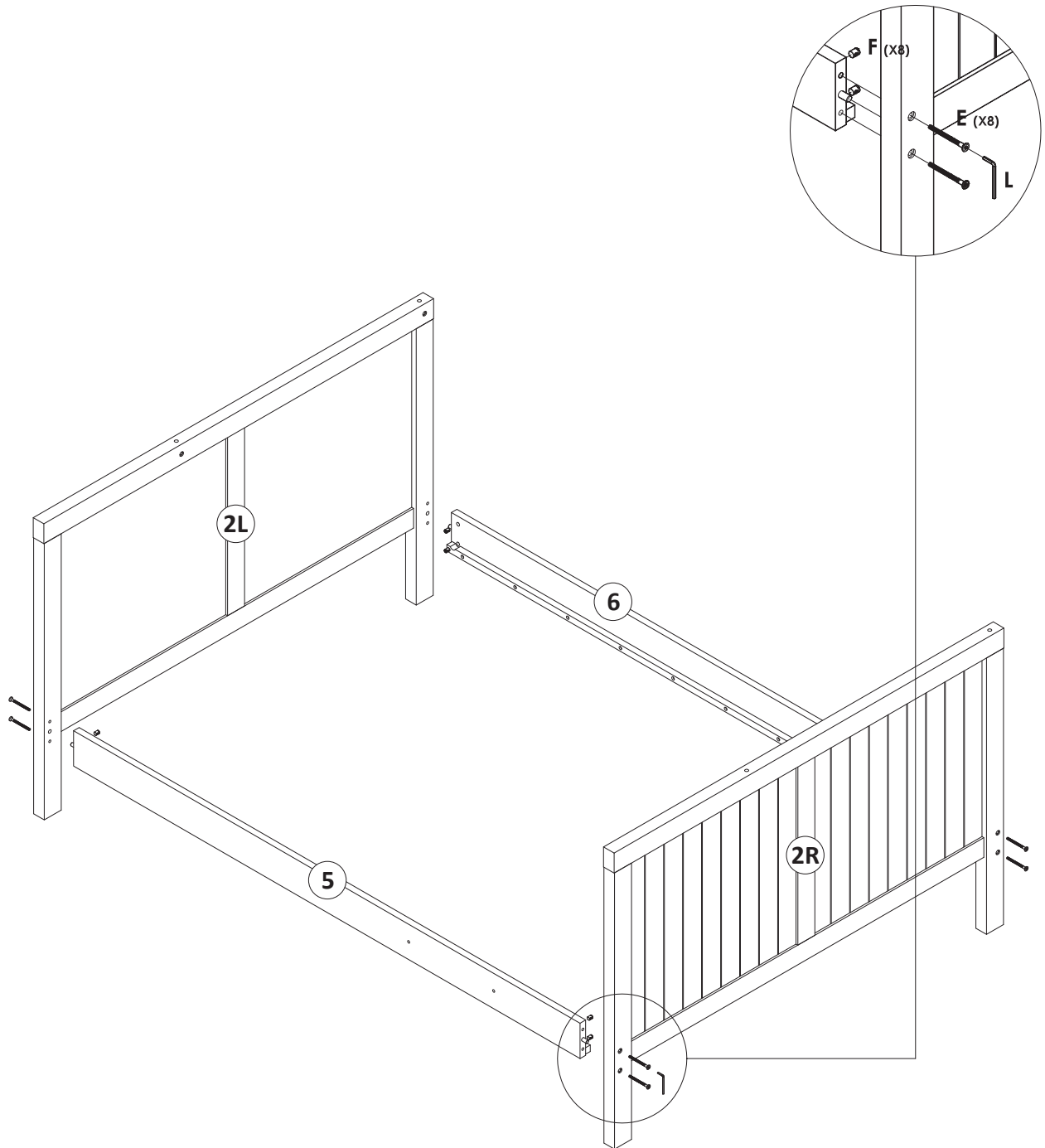
Attach **Guard Rail Supports** to **Short Guard Rails, Semi Guard Rails** and **Full Guard Rails** by using **Bolts (C)**, tighten it up by using an **Allen Key (L)**.



STEP 3

Attach **Lower Side Rails (Front) & (Rear)** to **Bottom Footboards** by using **Bolts (E)** and **Nuts (F)**, tighten it up by using an **Allen Key (L)**.

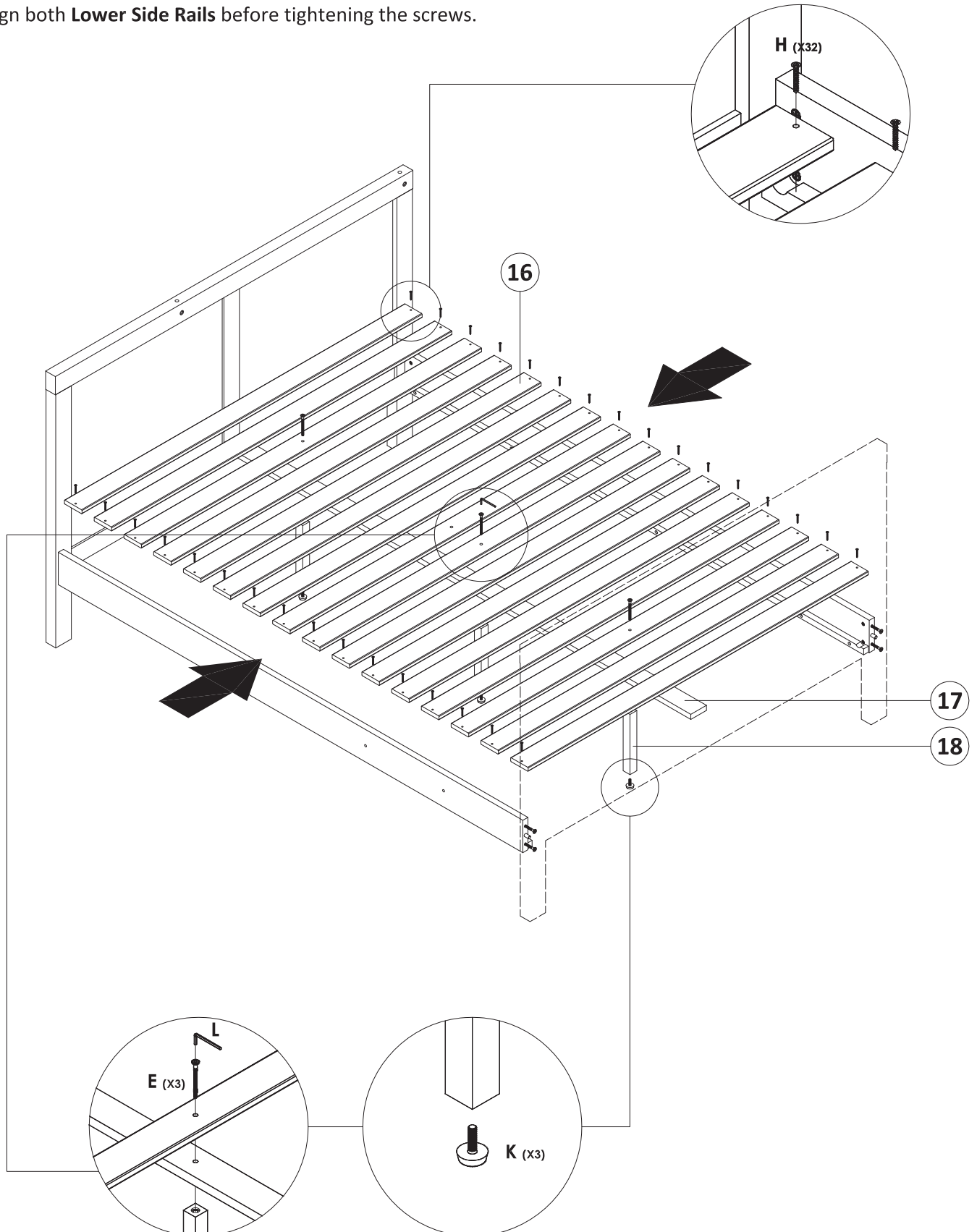
Make sure Lower Side Rail (Front) with 2 EXTRA HOLES is facing outwards towards the Ladder.



STEP 4

1. Screw **Base Glides (K)** under **Supporter Legs**.
2. Lay **Center Supporter** onto **Supporter Legs** WITHOUT TIGHTENING IT UP.
Position **Center Supporter** and **Supporter Legs** in the middle of **Bottom Bed**.
3. Secure **Bottom Wooden Slats** onto **Center Supporter** and **Supporter Legs** by using **Bolts (E)**, tighten it up by using an **Allen Key (L)**.
4. Secure the **Bottom Wooden Slats** in place by treading **Screws (H)** through the predrilled holes on both ends of **Bottom Wooden Slats**.

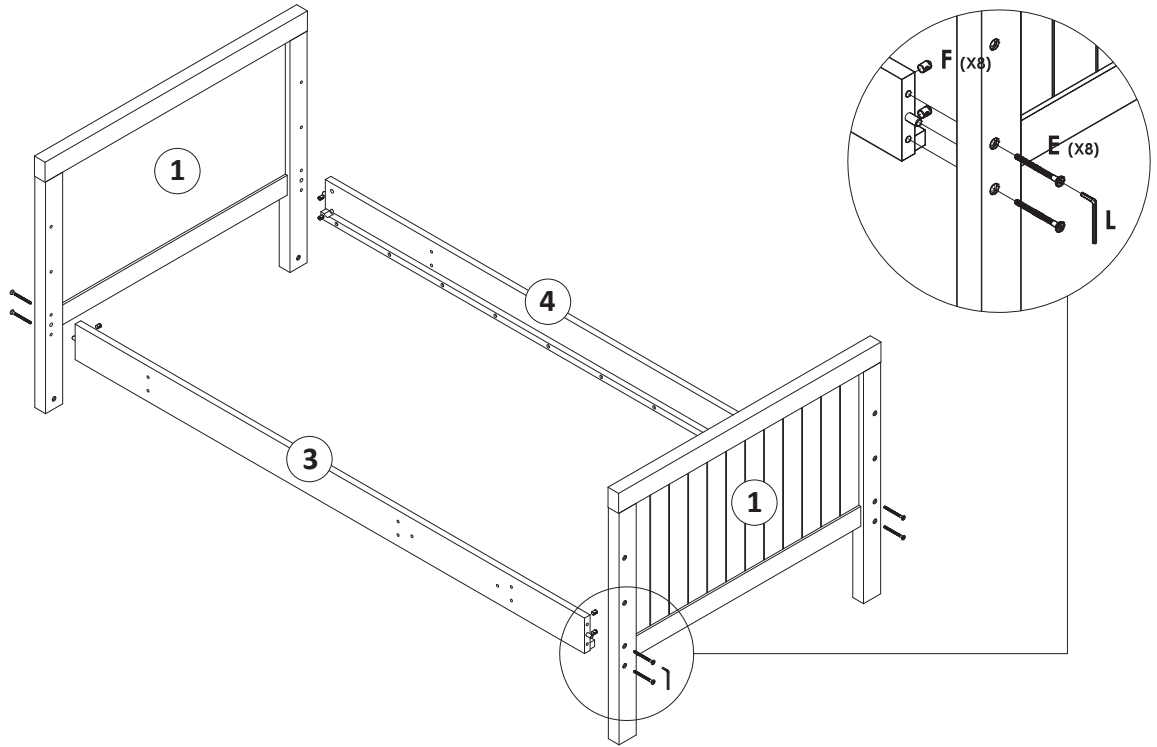
*Align both **Lower Side Rails** before tightening the screws.



STEP 5

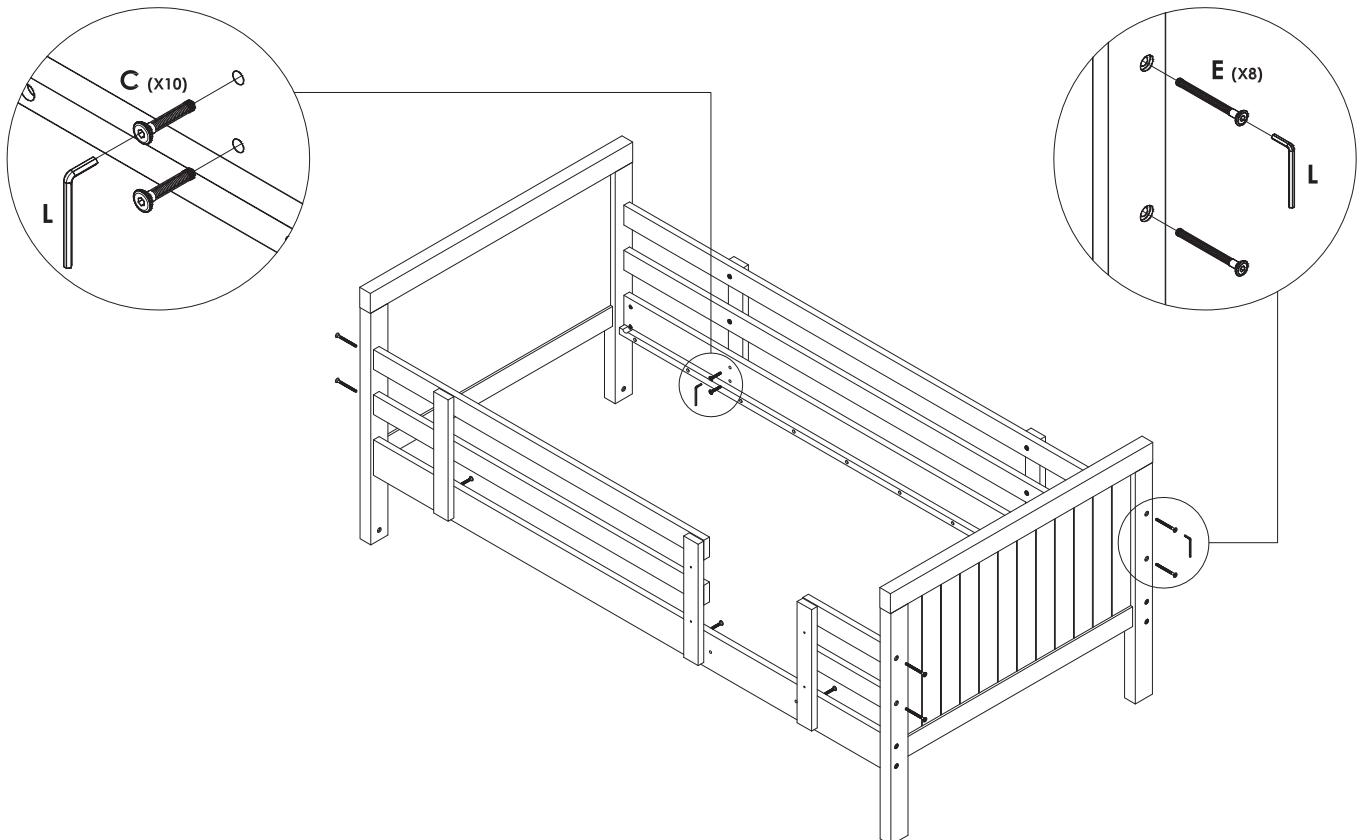
Attach **Upper Side Rails (Front) & (Rear)** to **Top Headboards** by using **Bolts (E)** and **Nuts (F)**, tighten it up by using an **Allen Key (L)**.

Make sure Upper Side Rail (Front) with MORE HOLES is facing outwards towards the Ladder.



STEP 6

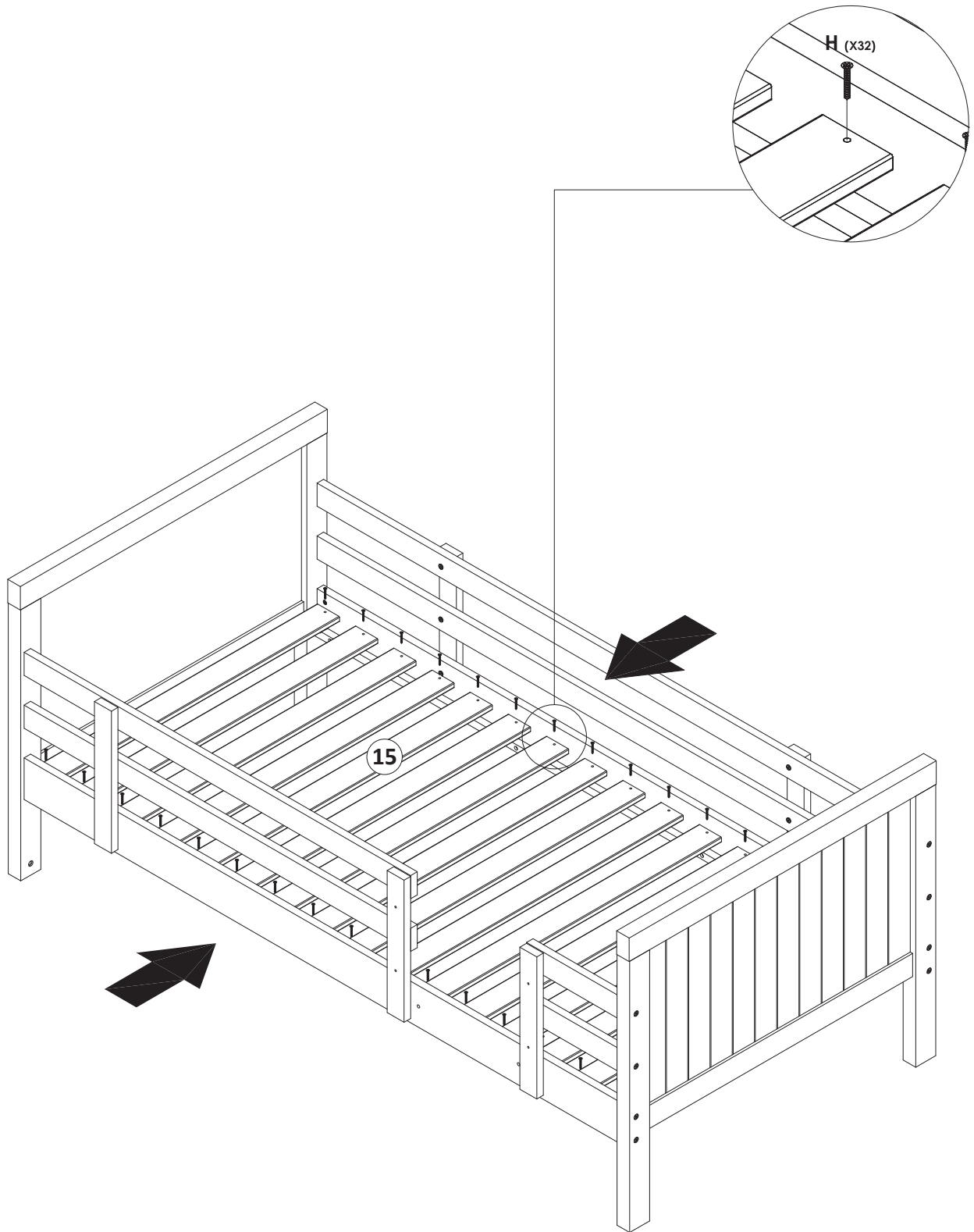
Attach **Full Guard Rails and Semi Guard Rails** to **Top Headboards** and **Upper Side Rails (Front) & (Rear)** by using **Bolts (E)**. Screw **Bolts (C)** into $\varnothing 8$ MM holes on **Side Rails**, tighten it up by using an **Allen Key (L)**.



STEP 7

Secure all the **Wooden Slats** onto **Upper Side Rails (Front) & (Rear)** by using **Screws (H)**, tighten it up by using a Crosshead Screw Driver.

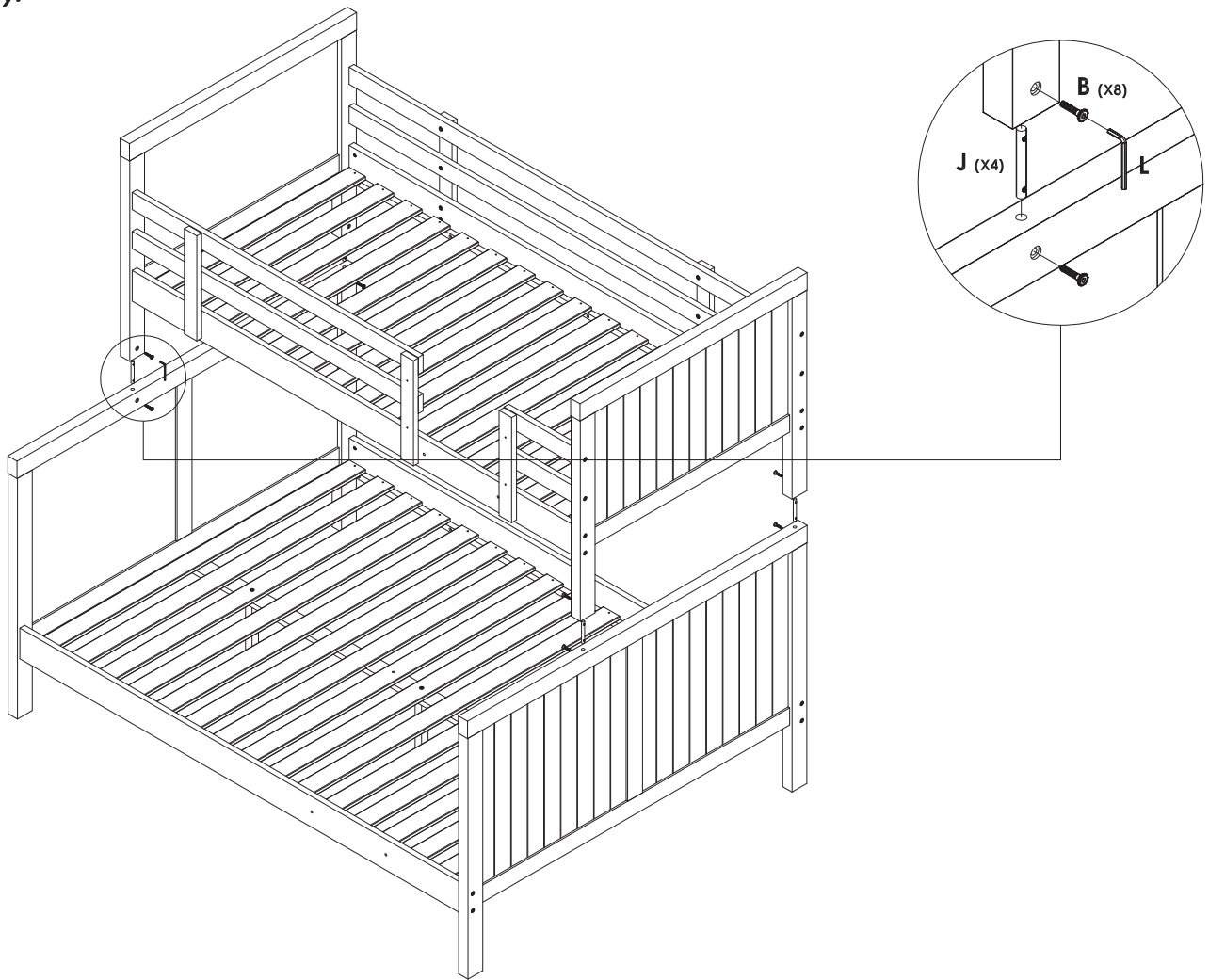
*Align both **Upper Side Rails (Front) & (Rear)** before tightening the screws.



STEP 8

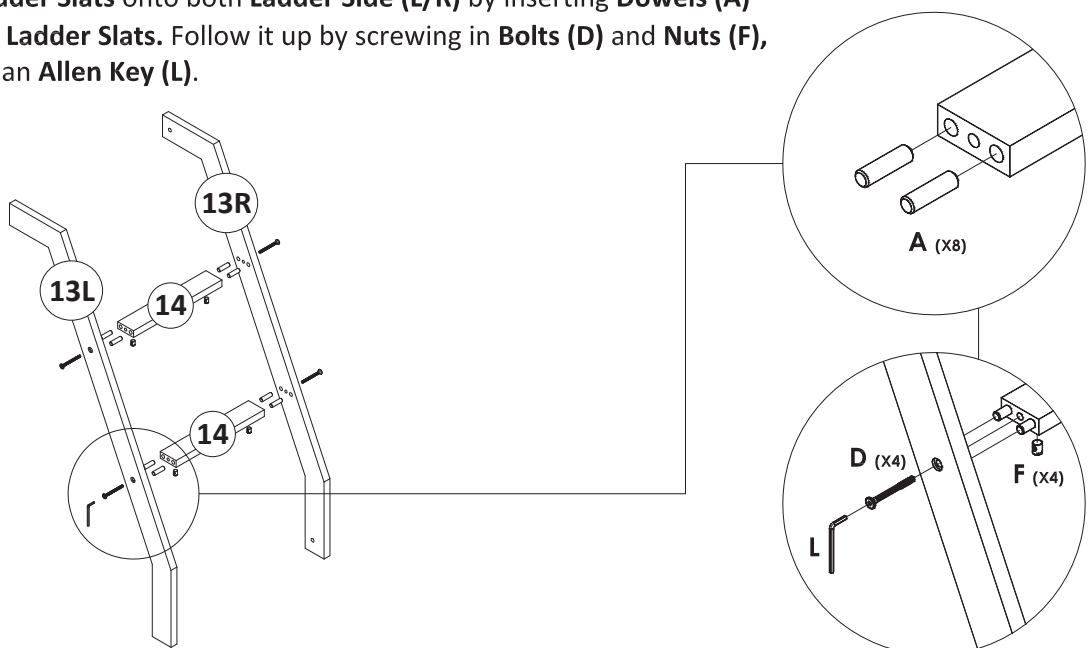
Connect both the **Top Bed** and **Bottom Bed** together by using **Metal Pins (J)**. Screw **Bolts (B)** into $\varnothing 14$ MM holes, tighten it up by using an **Allen Key (L)**.

Make sure both Upper & Lower Side Rails (Front) with 2 EXTRA HOLES are facing outwards while doing this assembly.



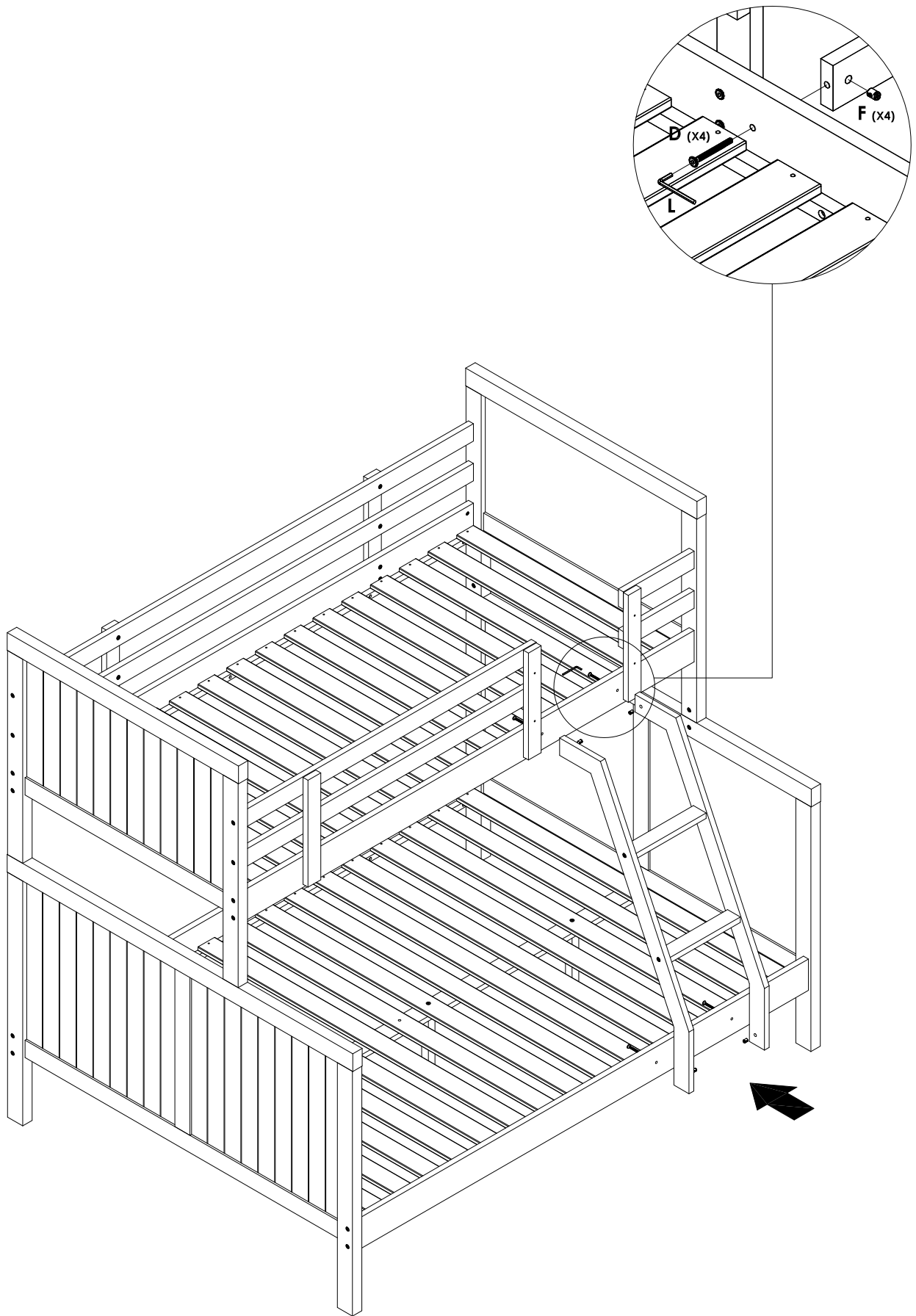
STEP 9

Attach and secure **Ladder Slats** onto both **Ladder Side (L/R)** by inserting **Dowels (A)** into $\varnothing 10$ MM holes on **Ladder Slats**. Follow it up by screwing in **Bolts (D)** and **Nuts (F)**, tighten it up by using an **Allen Key (L)**.



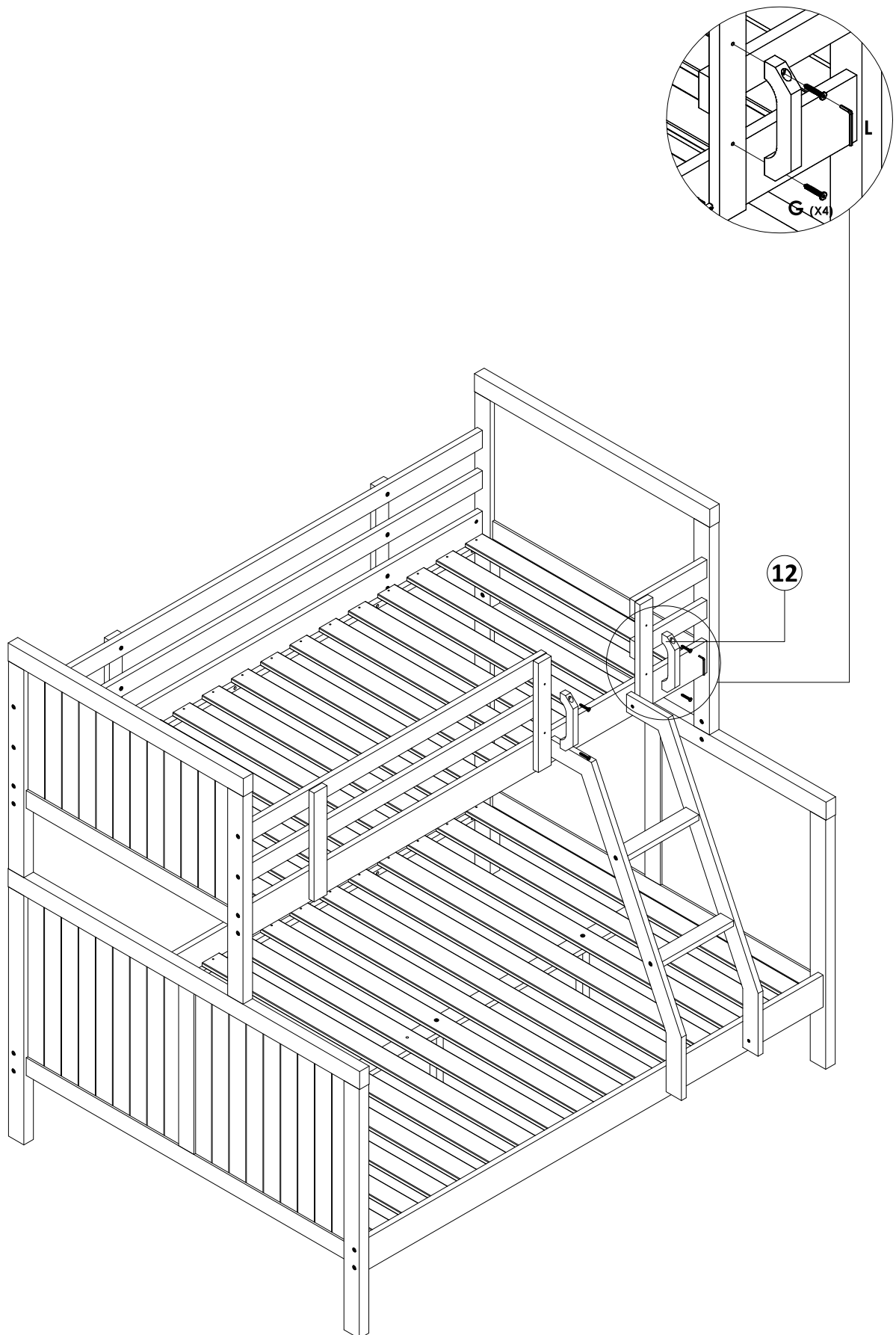
STEP 10

Attach and secure **Ladder** onto **Upper Side Rail (Front)** and **Lower Side Rail (Front)** by using **Bolts (D)** and **Nuts (F)**, tighten it up by using an **Allen Key (L)**.



STEP 11

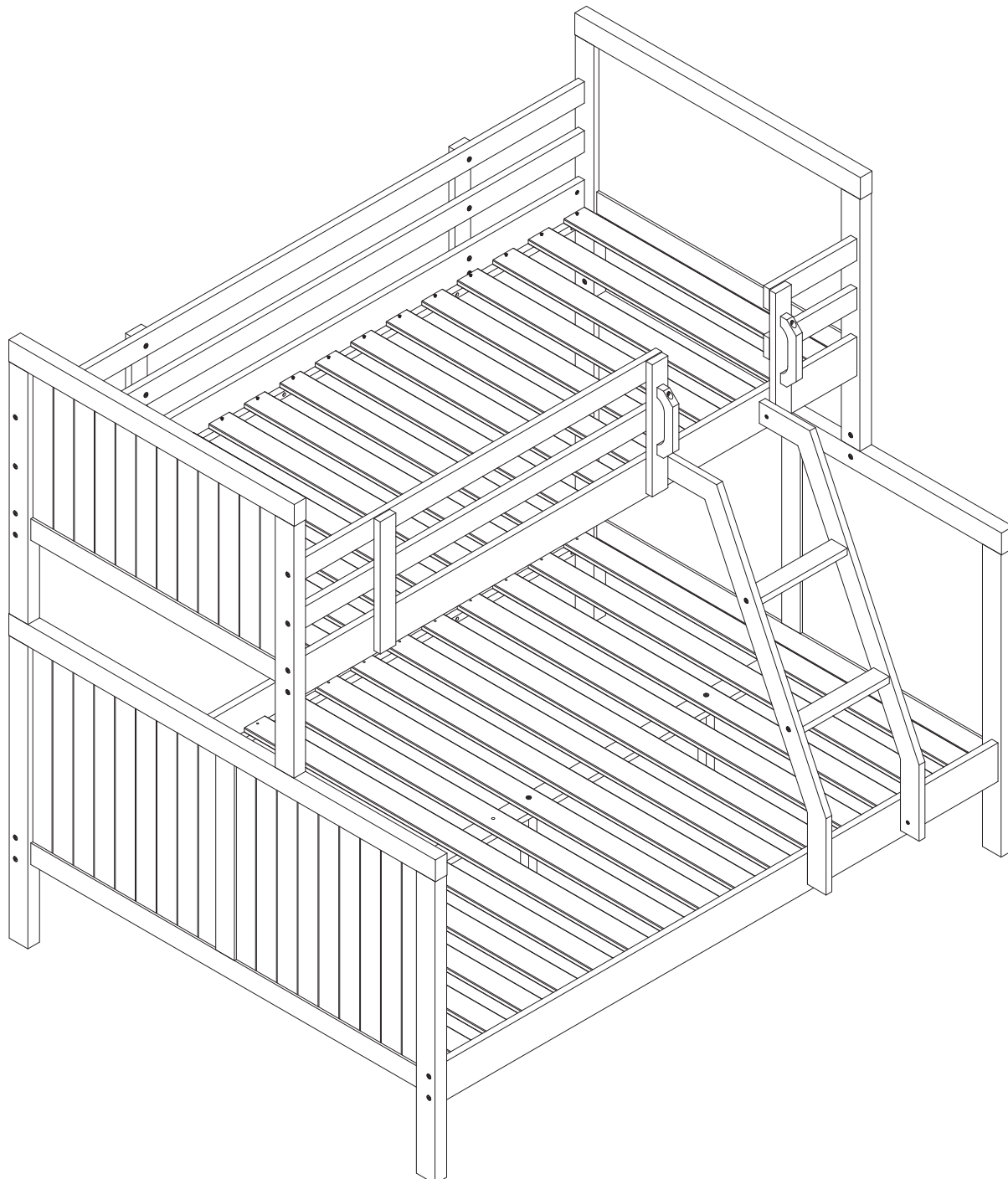
Attach and secure **Grips** onto **Guard Rail Supports (Grip Side)** by using **JCBC W Screws (G)**, tighten it up by using an **Allen Key (L)**.



ASSEMBLY IS COMPLETE

CAUTION

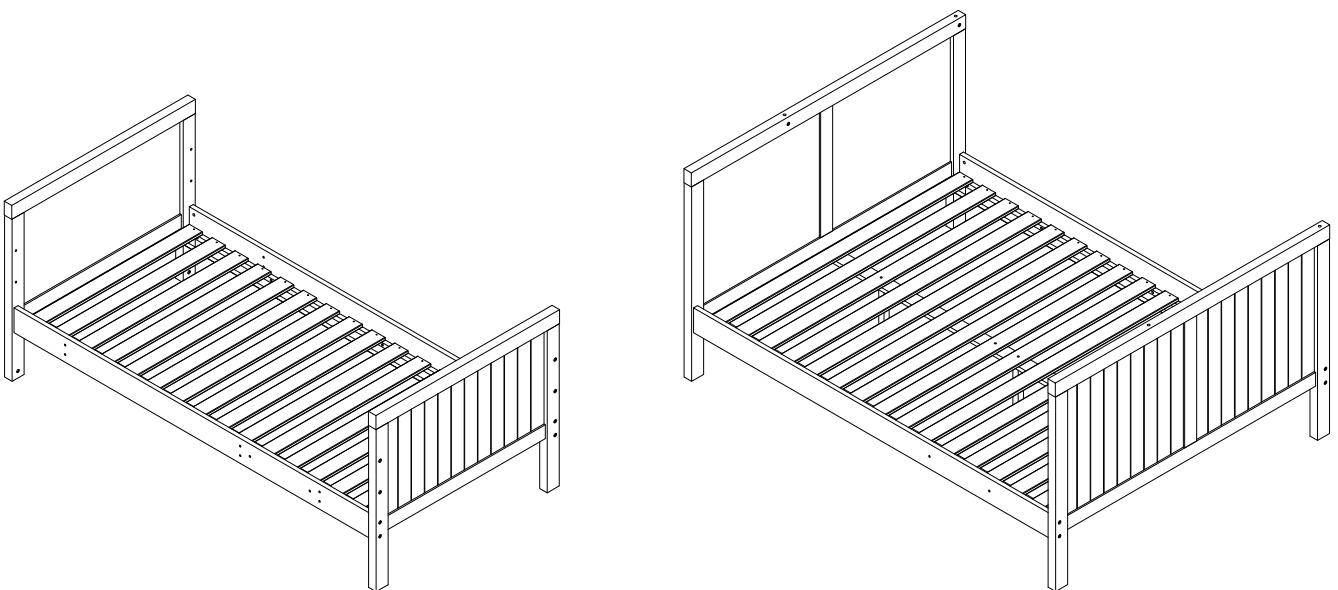
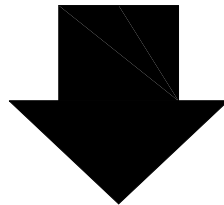
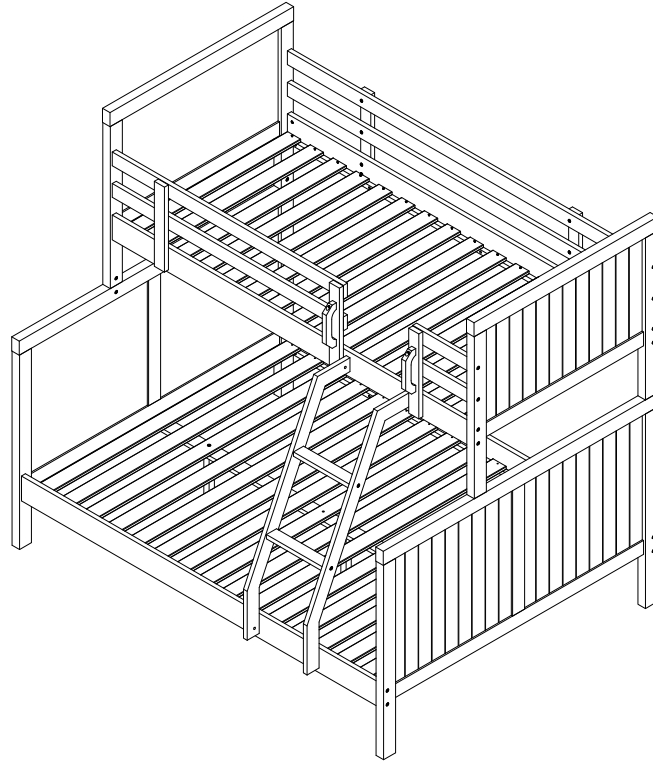
ALWAYS LIFT YOUR BED WHEN MOVING/RELOCATING-DO NOT DRAG.
DRAGGING CAN CAUSE DAMAGE TO THE BED



Convertible Feature

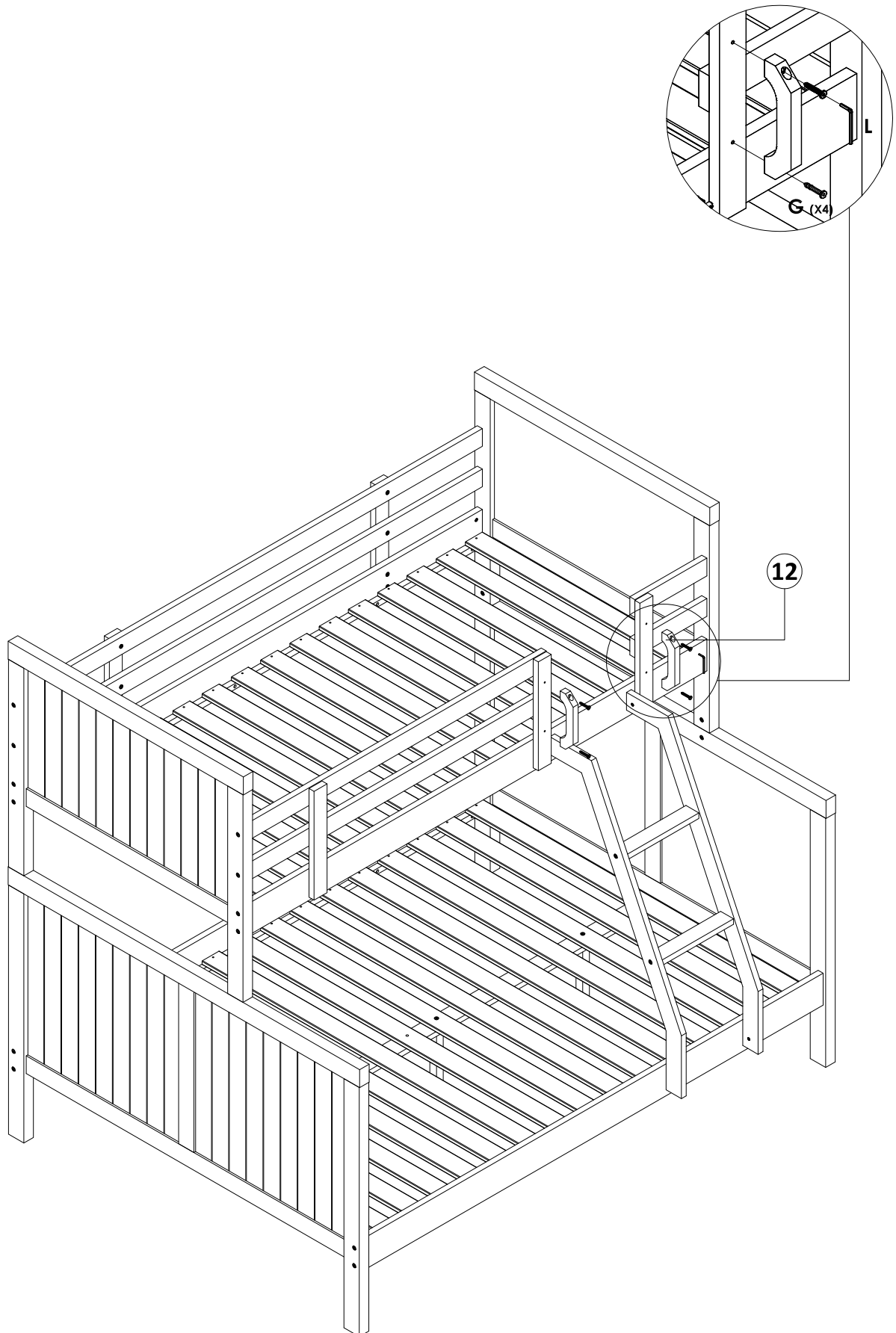
This bunk bed is able to convert to 2 single beds. Follow the instructions given.

This assembly must be completed by at least 2 person.



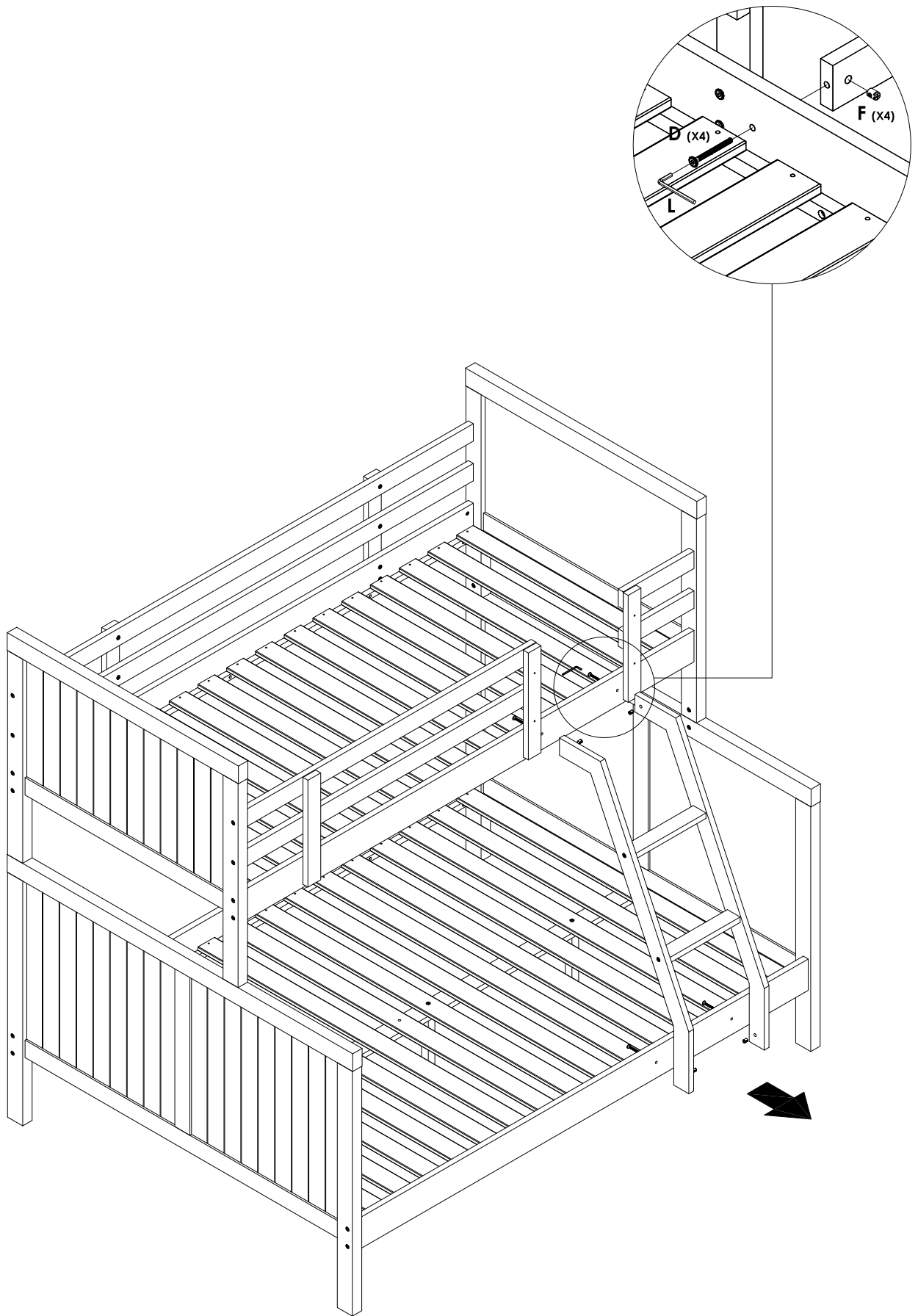
STEP 1 (Conversion)

Unscrew JCBC W Screws (G) and detach Grips by using Allen Key (L).



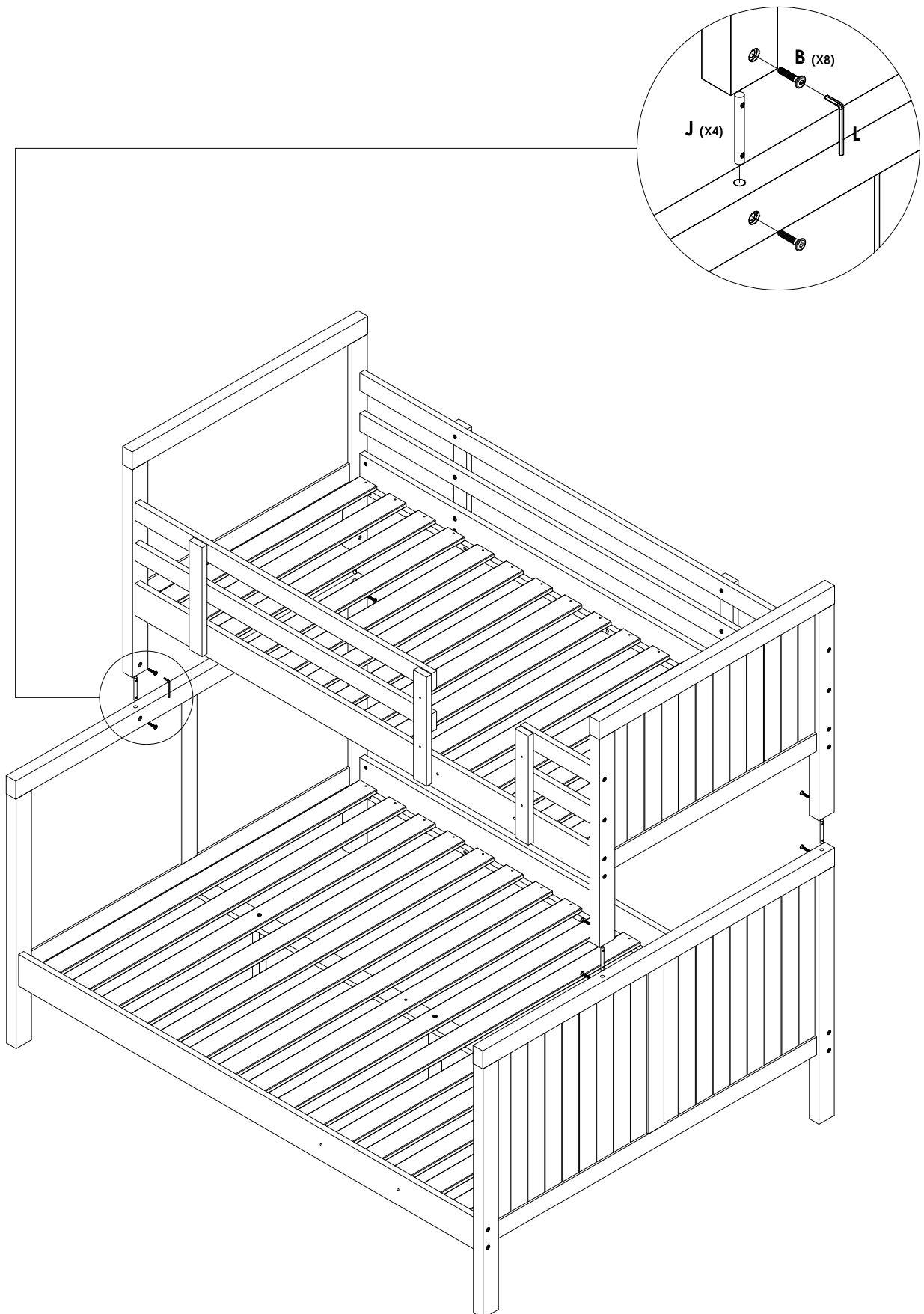
STEP 2 (Conversion)

Unscrew **Bolts (D)** and **Nuts (F)** and detach **Ladder** by using **Allen Key (L)**.



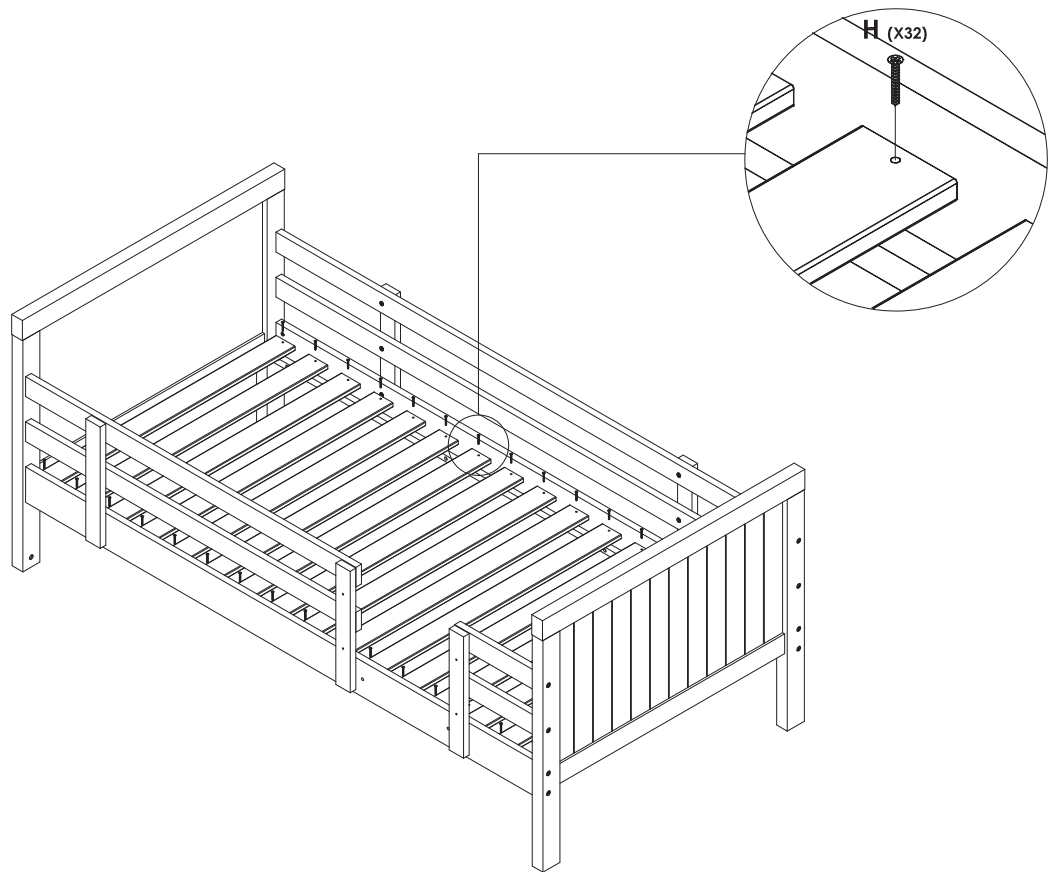
STEP 3 (Conversion)

Unscrew Bolts (B) by using Allen Key (L) and lift the Top Bed off of the Bottom Bed.



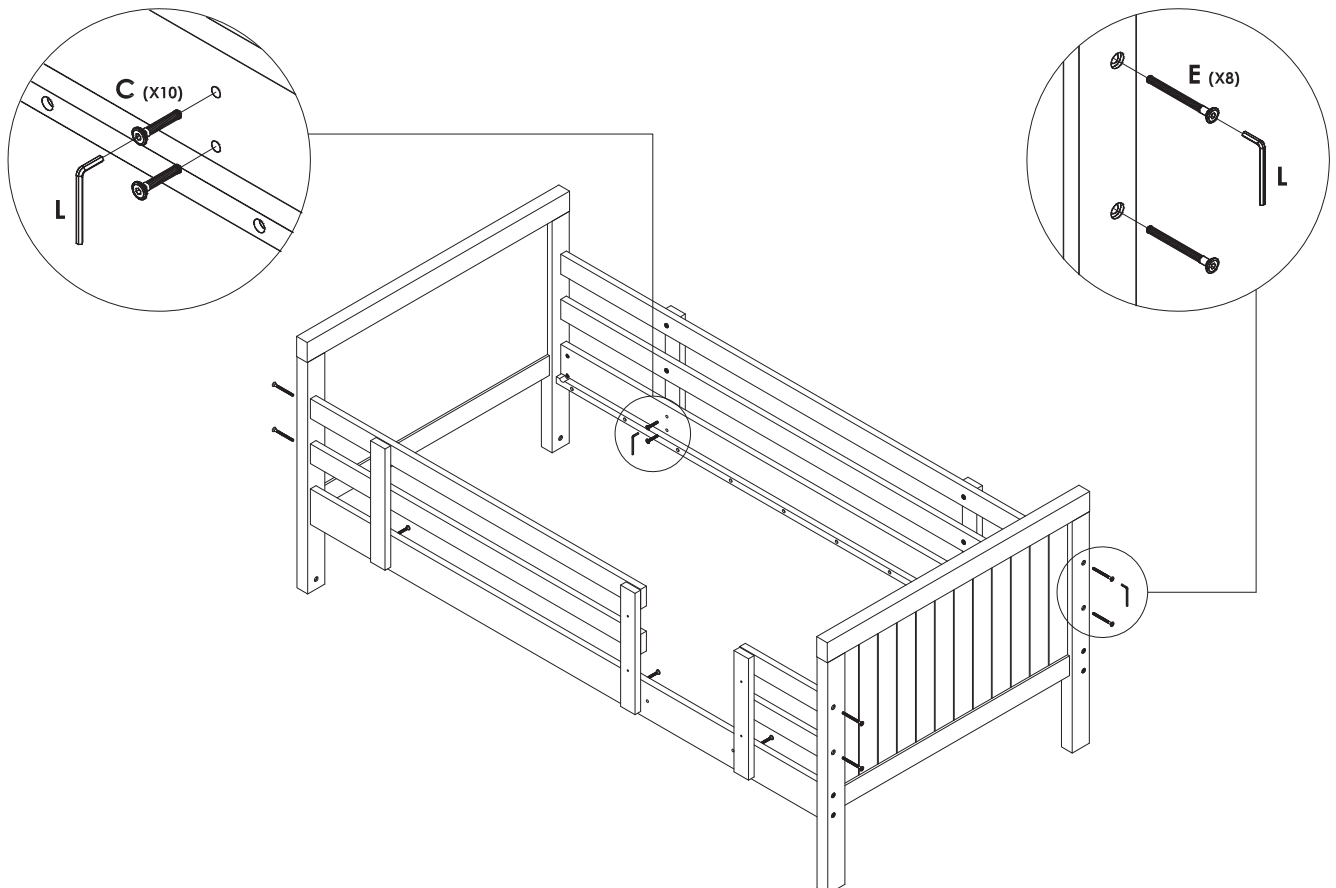
STEP 4 (Conversion)

Unscrew **Screw (H)** by using Crosshead Screw Driver and detach **Wooden Slat**.



STEP 5 (Conversion)

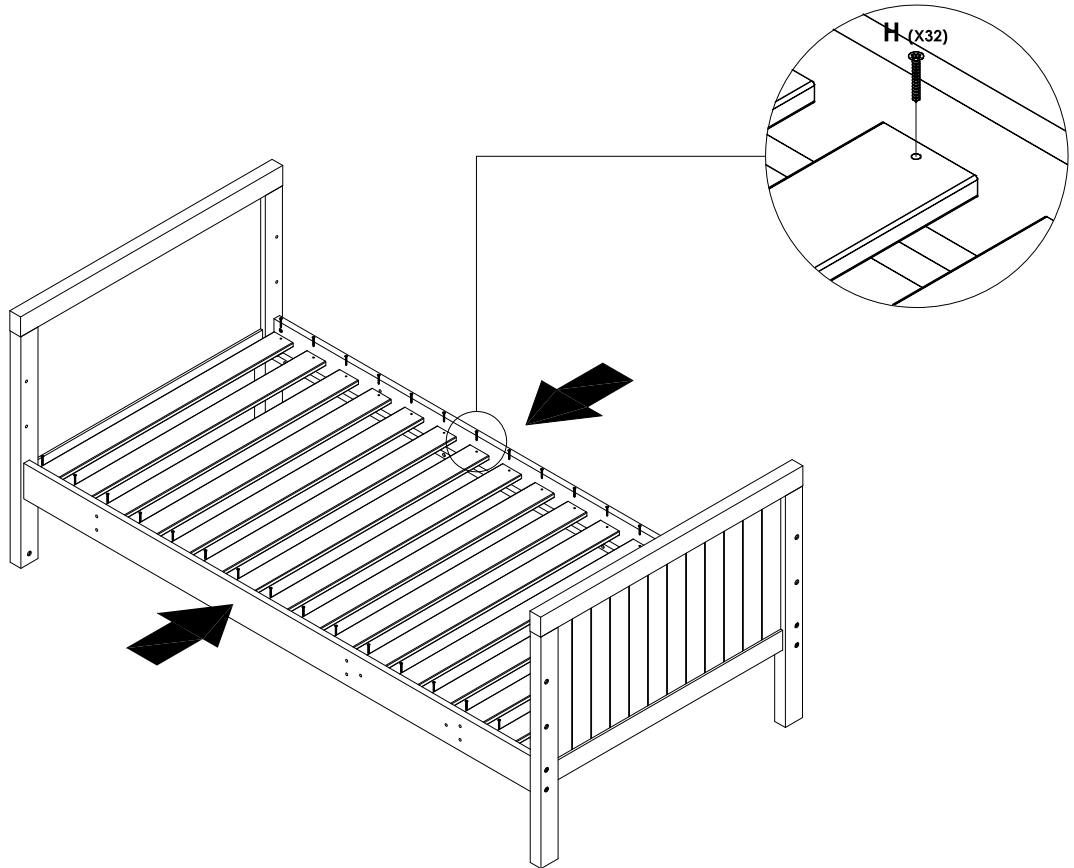
Unscrew **Bolts (C) & (E)** by using **Allen Key (L)** and detach **Full Guard Rails** and **Semi Guard Rails**.



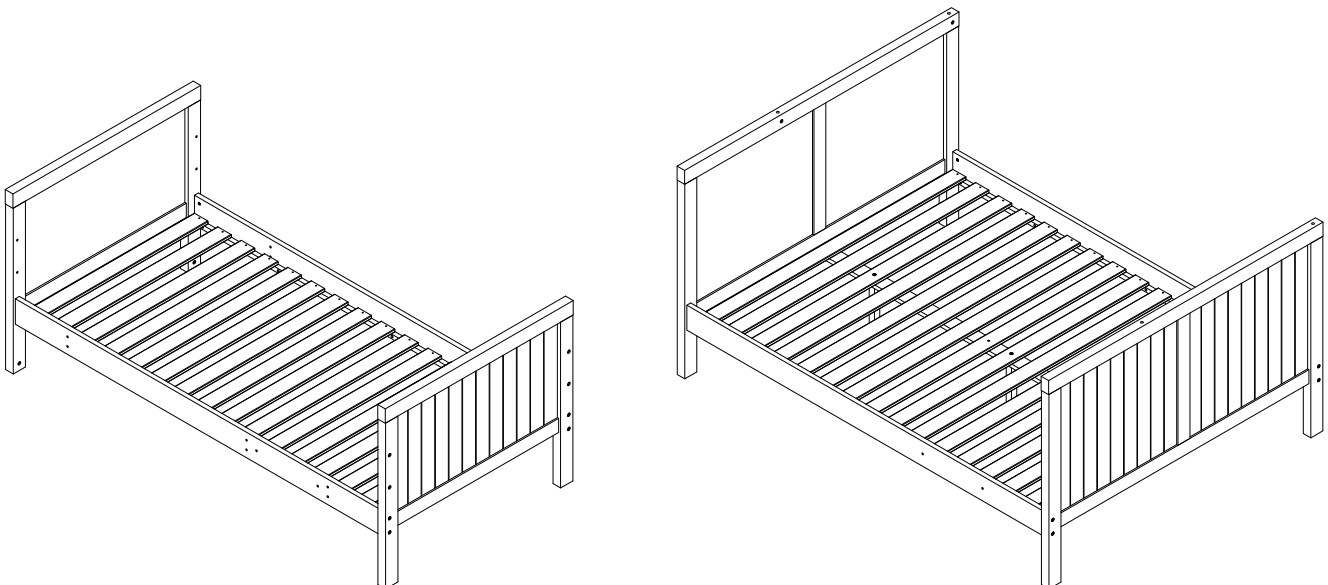
STEP 6 (Conversion)

Secure all the **Wooden Slats** onto **Previous Assembled** by using **Screws (H)**, tighten it up by using a Crosshead Screw Driver.

*Align both **Upper Side Rails (Front) & (Rear)** before tightening the screws.



CONVERSION IS COMPLETED



IMPORTANT : PRODUCT CARE FOR TIMBER ITEMS

As our timber is supplied from sustainable forests there will be natural variations in surface texture and grain like knots, mineral streaks and sap runs that may affect the finish. These differences in character are not defects, but distinctions that make each piece of furniture unique.

Our furniture is built to last. Following these steps for basic care should protect your investment for years to come.

- Dust frequently with a clean damp lint-free cloth. This will help remove abrasive build up which can damage a finish over time.
- Do not place hot objects on any furniture surface. Always use a hot plate or placemat. Laminate and lacquer finishes on table tops provide added scratch and heat resistance to our furniture, but they can still be damaged without proper care.
- Avoid exposing your furniture to strong sunlight, heat outlet, open windows or dampness. Prolonged exposure to direct sunlight can fade the finish of your furniture, while extreme temperature and humidity changes can cause cracking or splitting.
- Do not expose your furniture to any liquids. Never allow water to sit on your furniture. Alcohol, nail polish and perfume are also dangerous as they will dissolve the lacquer finish on contact and may require professional repairs.
- Do not allow plastic to come in direct contact with your furniture. Chemicals in plastic of placemats etc. may soften and mark the finish if left in contact with the furniture for a period of time.